

OWNERS MANUAL

D&K Minikote



CONTENTS

Section Index

- Specs 1
- Important Safeguards.....2
- General Diagrams 3 - 4
- I. Unpacking5
- II. Information About Laminating Film.....5
- III. Operating
 - A. Control Panel 5 - 6
 - B. Loading Film: 1” Mandrel7
 - C. Threading Film.....8
 - D. Laminating9
 - E. Supply Roll Tension Adjustment.....9 - 10
- V. Maintaining the Minikote
 - A. Care and Cleaning 10
 - B. Specific Troubleshooting Guide..... 11
 - C. Removing a Wrap Around 11 - 12
- Appendix A
 - Replacing the Hand Held Cutter Blades 12
- Wiring Diagrams..... 13
- Exploded Diagram..... 14
- Warranty..... 15

SPECIFICATIONS

Height	15”(381 mm)
Width	34”
Depth (with feed tray)	20”
Net Weight.....	66 lbs.
Shipping Weight	72 lbs.
Capacity.....	27”
Electrical.....	120V AC, 60Hz, 1400w

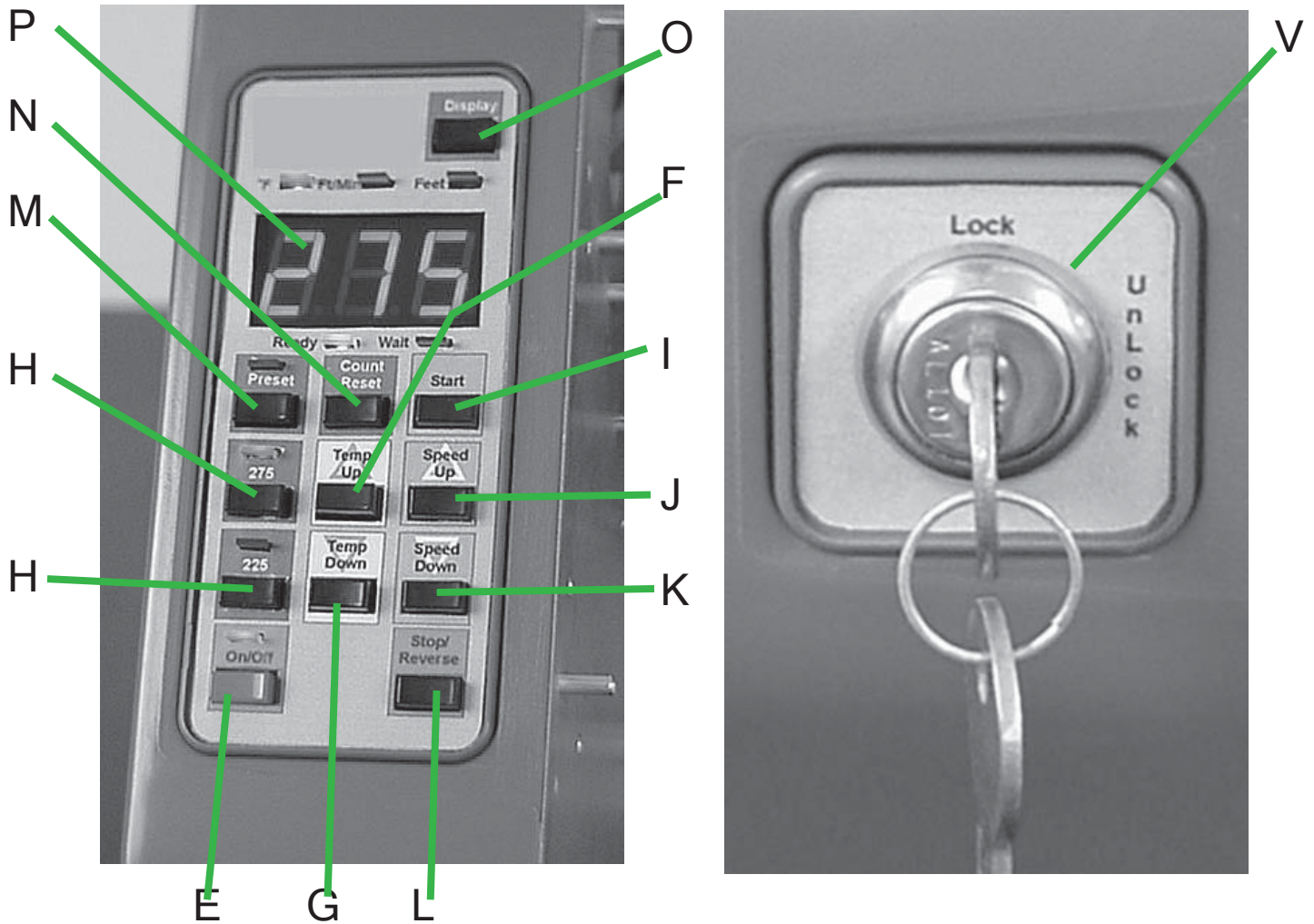
IMPORTANT SAFEGUARDS

- Read all the safety and operating instructions before connecting or using this unit.
- Retain this notice and the owners manual for future reference.
- Adhere to all warnings and operating instructions.
- Do not use this unit near water (e.g. near a bathtub, etc.)
- The wearing of ties or jewelry while operating a laminator may be hazardous to the operator.
- Warning: Do not touch hot surfaces such as heat shoes and heat rollers.
- This unit should be installed so that its location or position does not interfere with its proper ventilation. For example, it should not be situated on a bed, sofa, rug or similar surface that may block the ventilation openings; or placed in a built-in installation, such as bookcase or cabinet or against the wall, that may impede the flow of air through its ventilation openings.
- This unit should be situated away from heat and air ventilation systems such as radiators, heat registers, stoves, etc.
- This unit should only be connected to a power supply outlet of the voltage, amperage and frequency marked on its serial tag.
- For 120 volt machines the socket outlet shall be installed near the equipment and be easily accessible.
- The power supply cord should be routed so that it is not likely to be walked upon or pinched, especially near the plug, convenience receptacles, or where the cord exits from the unit.
- Unplug the machine during any machine repairs.
- Clean unit only as recommended in this instruction manual.
- Make sure to remove the Feed Table before reversing the machine!
- Care should be taken so that objects do not fall, and liquids are not spilled, into the enclosure through any openings.
- Caution: The Cutter blade is extremely sharp. Please handle carefully and dispose of properly.

GENERAL DIAGRAMS

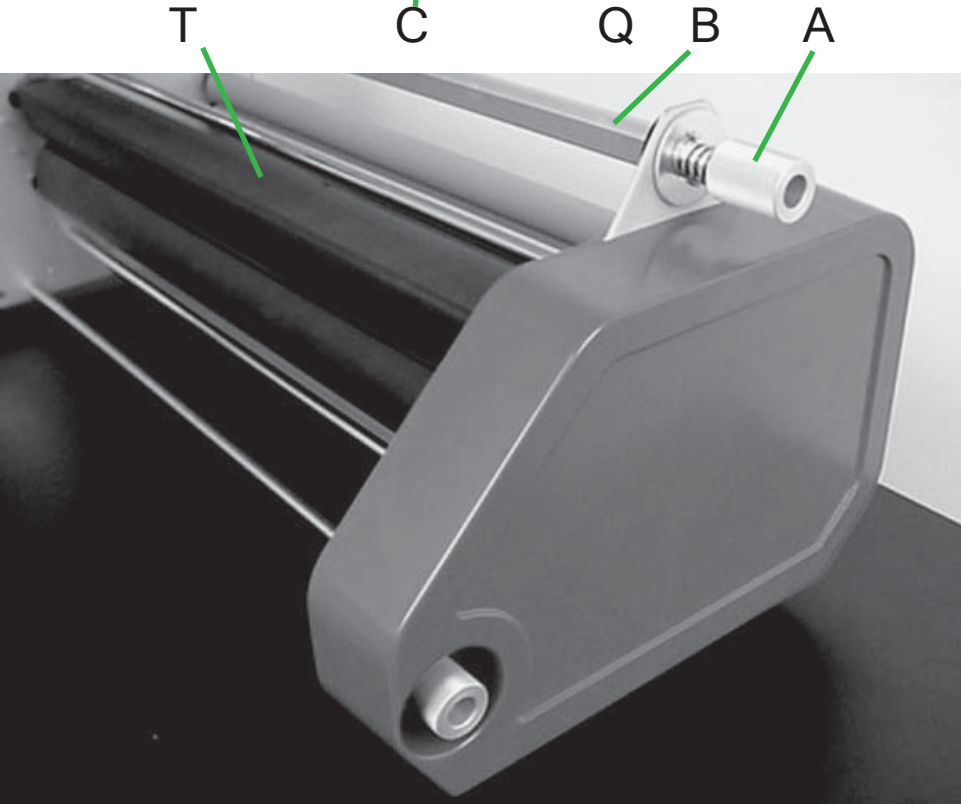
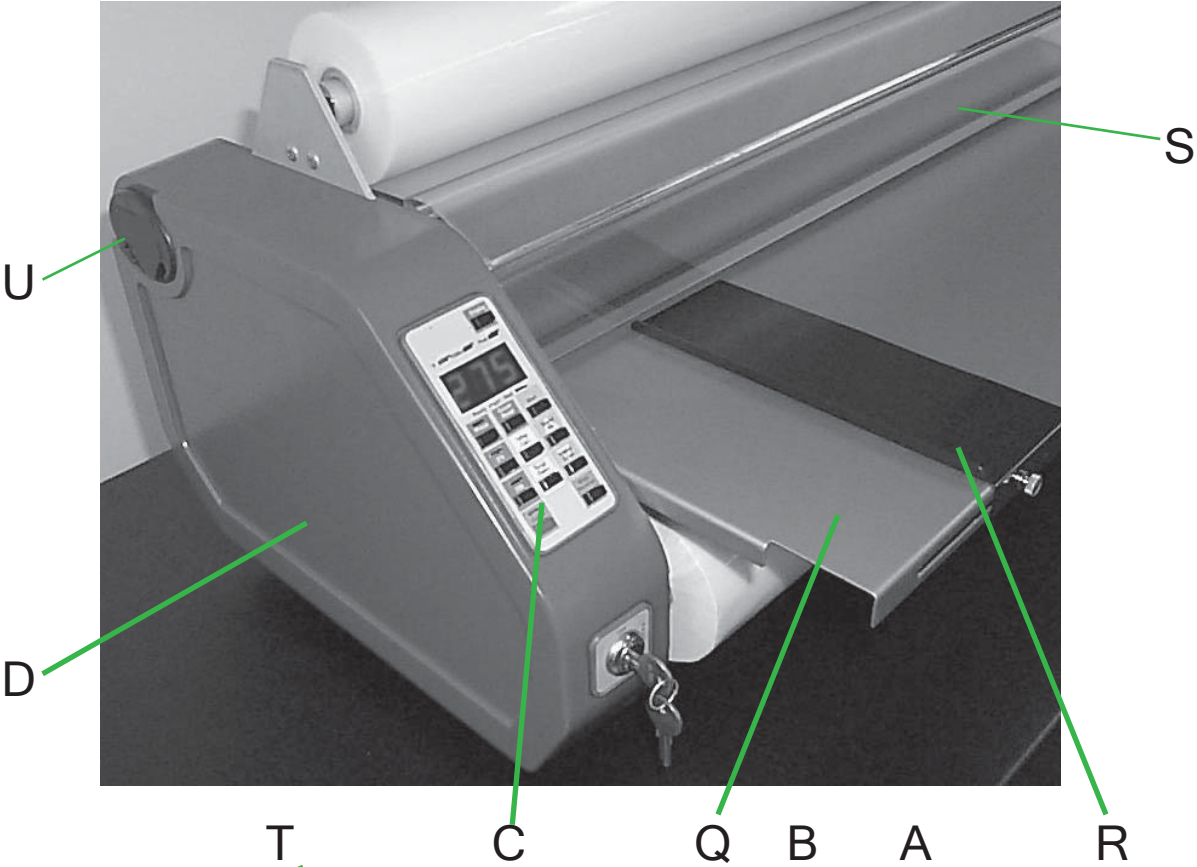
The D&K Minikote, offers variable speeds and a reverse feature. They are designed to laminate a variety of materials using up to 27" laminating film. The D&K Minikote is capable of lamination from 1 to 9 feet per minute and can be reversed by the push of a button.

Tension Adjusting Knobs (A) are conveniently located on the Supply Mandrels (B) on the right side panel for easy access. A Control Panel (C) is located on the Left Housing (D), and is equipped with a Power



Button (E) to turn the machine on, Temperature Up (F) and Temperature Down (G) buttons, two Preset buttons (H), a Motor Start button (I) to start the motor turning, Speed Up (J) and Speed Down (K) buttons to adjust the speed as necessary, a Motor Stop/Reverse button (L), a User Preset button (M) to save your own settings, and a Count Reset button (N) which resets the usage counter. The Display button (O) toggles the Display (P) between 3 settings. The Feedtray (Q) and Feed Guide (R) provide a smooth, durable paper path and the Heat Guard (S) protects hands from hot surfaces inside. Teflon coated Heat Shoes (T) minimize friction. The Cutter (U) cuts and trims your laminated documents and the Keyswitch (V) prevents unauthorized usage.

GENERAL DIAGRAMS



I. Unpacking

Remove the laminator from its box by grasping the housings and pulling up. Do not use rollers or shafts as handles - this could cause damage. Choose a location for the laminator that is clean, well-lit and draft free. Make sure it is not in the path of any fans, room air conditioners, or positioned too close to the wall. The laminator comes to you ready to load the film onto the supply mandrels, thread the film through the machine, and install the feedtable.

II. Information About Laminating Film

Laminating film is made up of two layers: a glossy layer which gives the lamination its strength, clarity and rigidity, and a dull or matte side which is heat activated and serves as the “glue” to bond the film to the product being laminated. Once heated, small amounts of the “glue” side can stick to the heat shoes and rollers and must be periodically cleaned from the laminator.

Laminating film is available in a variety of different lengths, and thicknesses. The Muliseal II Laminator is designed to use 1.5 mil (#150), and 3 mil (#300), film thicknesses.

III. Operating

A. Control Panel

The control panel is located on the left side of the laminator. This panel is used to control the various machine functions listed below.

Display (O,P)

The display of the Laminator will show the 3 different parameters of the machine: temperature, speed, and usage counter. The default display mode is usage counter. If the machine is not yet up to temperature, the machine will display the set point temperature. When the machine reaches the set point temperature, the usage counter will be displayed. If the speed is adjusted, the machine will momentarily display the speed and then quickly return to usage counter mode. The “Display” button allows you to toggle between any of the 3 settings for the display.

Power (E)

The “On/Off” button turns the machine on.

Heat (F,G)

The temperature controls are the “Temp Up” and “Temp Down” buttons (yellow blocks). These buttons are used to adjust the temperature currently displayed. The temperature displayed is the temperature set point. This is the temperature that the machine will reach and hold. The temperature can be increased or decreased in 1° increments by pressing and releasing the up or down button. To rapidly increase or decrease the temperature, press and hold the button. When the machine reaches the set point temperature, the Ready light (green) will illuminate, and a two second beep will sound. If a significant change in the set point temperature occurs, the Wait light (red) illuminates until the laminator reaches the new set point temperature. At this time the Ready light will illuminate again. Note: depending on room conditions and desired set point, it will take between 20 and 30 minutes for the ready indicator to come on.

Standard Presets (H)

The Laminator is equipped with 2 factory presets. The buttons are labeled 275 and 225. These buttons will set both a speed and temperature, that being (275°F and 3 feet per minute) and (225°F and 3 feet per minute). If one of the presets is engaged, it's corresponding LED will be illuminated.

Motor (I,J,K,L)

The motor controls are the 4 buttons on the right side of the control panel. The "Start" button will start the motor which will run at the current speed setting. The "Speed Up" and "Speed Down" buttons will adjust the speed setting. Pressing and releasing the button once will increment the speed by 0.1 ft/min (0.1 meters/min). To rapidly increase or decrease the speed, press and hold the corresponding button. To stop the motor, press and release the "Stop/Reverse" button. To reverse the machine, press and hold the "Stop/Reverse" button. The motor will remain in reverse as long as the button is depressed.

User Preset (M)

The Laminator is equipped with a user defined "Preset" button. This button can be used to save a speed and temperature setting that you have defined. With the machine's speed and temperature set to your preferred settings, press and hold the "Preset" button until the beeper sounds and the preset light comes on. To recall this setting at a later time, press and release the "Preset" button.

Usage Counter (N)

The Laminator is equipped with a usage counter that will indicate the feet (meters) of film used. This counter will appear on the display whenever the feet indicator light is on. This counter can be reset to zero by pressing the "Count Reset" button once the display is showing the usage counter.

Additional Features

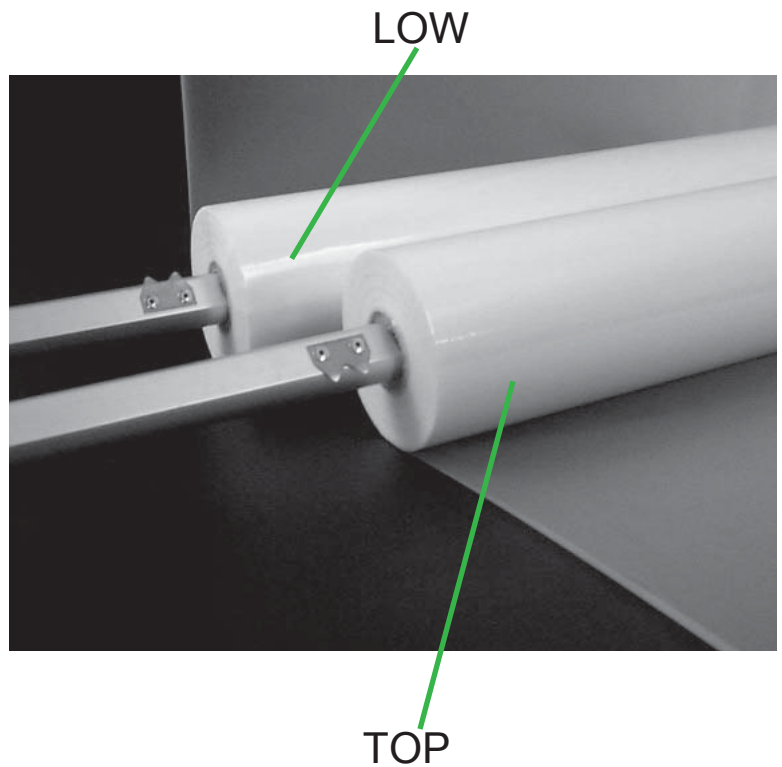
Keyswitch

The keyswitch (located just below the control panel) locks out the motor, allowing the machine to remain heated; yet, preventing unauthorized usage when in the locked position.

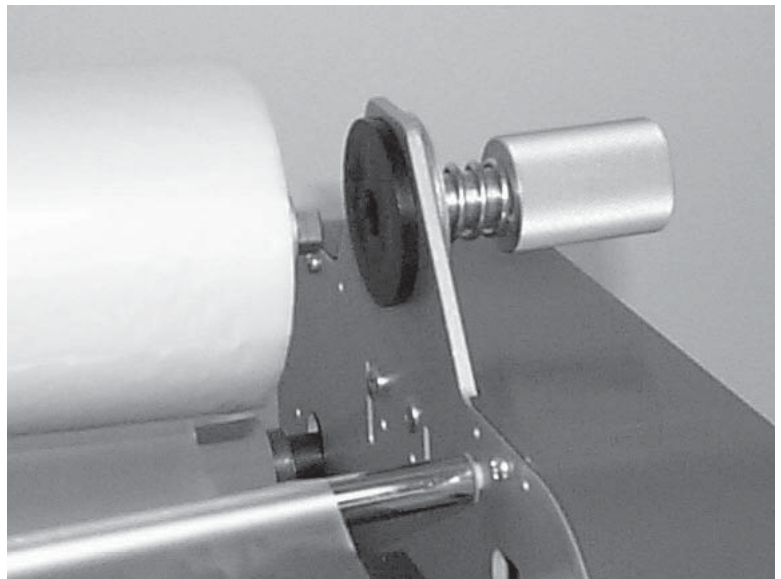
B. Loading Film: 1" Mandrel (B)

Unpack the upper and lower supply mandrels. The upper and lower mandrels are different. The word "TOP" is stamped on the shaft of the upper mandrel and the word "LOW" is stamped on the shaft of the lower mandrel. The ends of each mandrel are also different. The "hanger" end fits in the bracket on the left side of the laminator. The "slot end" fits into the tension adjuster on the right side.

Slide the film roll onto the mandrel by rotating the mandrel in the opposite direction of the gripper points, leaving equal lengths of mandrel sticking out of each end. The film roll will slide over the gripper, which will keep the roll from turning on the shaft.

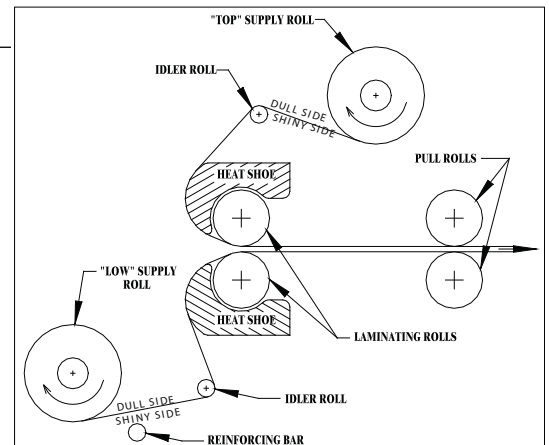


Load the mandrel on the laminator by inserting the slot end of the mandrel into the tension adjuster on the right side and then lowering the hanger end into the bracket on the left side.



C. Threading the Film

Remove the feed tray and the heatguard. Thread the film as shown in the figure on the right. Pull the film around the idler rollers as shown. **Do not mistake the reinforcing bar for the idler roller.** Make sure the glossy and dull sides of the film are as indicated in the diagram. Position the threading board provided.



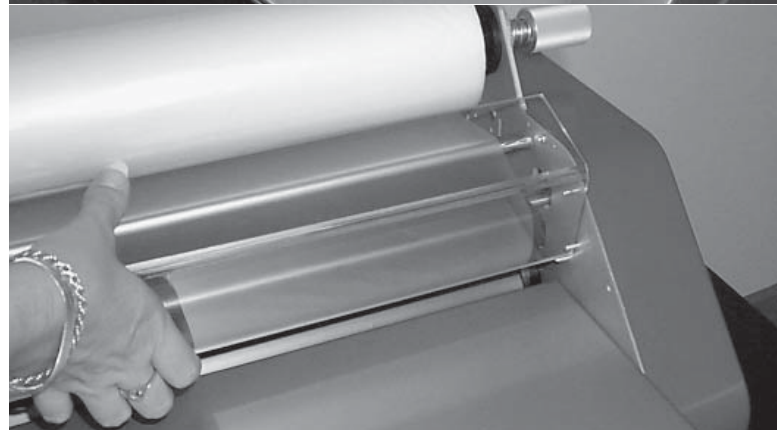
Turn power and keyswitch to on.



Start the motor by pressing the "Start" button, and reduce the speed to 1 foot/min. Feed the threading board and film in between the heat shoes. This will pull the film through the rollers until it comes out the back of the laminator.



Slide the top and bottom film rolls from side to side on the mandrels so that the film is perfectly aligned top and bottom (Note: overlap will cause the film to deposit residue on the heat shoes and rollers, so this procedure is critical). Replace feed tray and heat guard.



D. Laminating

After the machine is loaded with film (see B. Loading Film: 1" Mandrel) and threaded (see C. Threading the Film), it is ready to laminate. Ensure that the laminator has reached the preset temperature. This will be indicated by the ready light being illuminated. Place document on the feedtable and align with the feedguide to assure straight and even lamination. Start the motor with the "Start" button and adjust the speed as necessary. If necessary, adjust the supply roll tension (see E. Supply Roll Tension Adjustment). With both hands, guide the document into the throat of the laminator. While the document is pulled into the laminating rollers, keep document flat on the feedtable while applying a slight back pressure. As the document exits the rear rollers, allow 3" to 6" of film to clear the rollers at the end of your document and turn the motor switch to stop. Using the hand held cutter, hold tension on the laminated document and slice through the film to release the document. Multiple documents can be run successfully if desired and cut at a later time.



E. Supply Roll Tension Adjustment (A)

Top and bottom supply rolls should have about the same tension. By turning the top roll with one hand, and the bottom roll with the other hand, it can be determined if one of the rolls is tighter than the other.

Note: Too much tension can destroy film, documents, and damage the machine.

Adjust the tension to the minimum amount required. Do this by loosening the tension knobs until there is no tension on the film. With the machine threaded and at operating temperature, turn the motor switch to forward and adjust the speed to the desired operating speed. Tighten the adjusting knobs only until the wrinkles in the film are removed.



Note: As the diameter of the film roll decreases, tension should be reduced.

To increase tension, turn the adjusting knob clockwise. To decrease tension, turn the knob counterclockwise. If the tension is not equal top and bottom, the laminated product will curl. If the material curls **up** as it comes out of the machine, the top roll is probably tighter than the bottom. If it curls **down**, the bottom roll is probably tighter.

Note: Make sure the black disks are flat against the sidepanel. They should be rotating, both top and bottom, while film is feeding.

V. Maintaining the Minikote

A. Care and Cleaning

In the normal course of operating the D&K Minikote, dirt and adhesive will accumulate on the heat shoes and rubber rollers (Laminating produces static electricity which attracts airborne dust and dirt). Regular inspection and cleaning will assure that this does not become a problem.

Never use hard, sharp, or abrasive items to clean the heat shoes. The shoes are coated with a non-stick surface that could easily be damaged. Likewise, do not use sharp metallic objects or steel wool to clean the rubber rollers. Any scratches, indentations, or marks left on the rollers will appear on the laminated product.

To clean the shoes and rollers, use a clean, lint-free cloth. Some suggested solvents are rubbing alcohol(isopropyl), fingernail polish remover(with acetone), and Goof-Off® spray.



B. Specific Troubleshooting Guide

	Increase Heat	Decrease Heat	Worn, Dirty, Or Damaged Rollers	Increase Tension On Supply Rolls	Dirty Heat Shoes	Moist Or Coated Product	Decrease Tension On Supply Rolls	Reduce Speed	Check Threading Diagram
Wrinkles on Film (side to side)		●	●	●					
Wrinkles on Film (lengthwise)		●			●	●			
Plastic not bonding	●						●		
Bubbles or Blisters		●	●		●				
Impressions on product			●						
Squeaking sounds						●		●	
Film narrowing on shoes						●		●	
Film wrinkling on shoes	●			●					
Continuous blemish			●		●				
Cloudy film	●								
"Orange Peel" Finish		●							
Film sticks to rollers			●						●
Film sticks to shoes					●				●
Film won't stay aligned									●
No seal on edges	●			●			●		
Poor seal - one side only					●				

C. Removing a "Wrap-Around"

A "wrap-around" occurs if the film exiting the rear rollers curls around one of them causing the laminate to wind around the roller.

If the wrap-around is not severe, simply use the reverse feature and back the film out. **Make sure to remove the Feed Table before reversing the machine!**

For extreme wrap-arounds (i.e. when plastic and/or product have wrapped around the rubber rollers several times) follow this procedure:

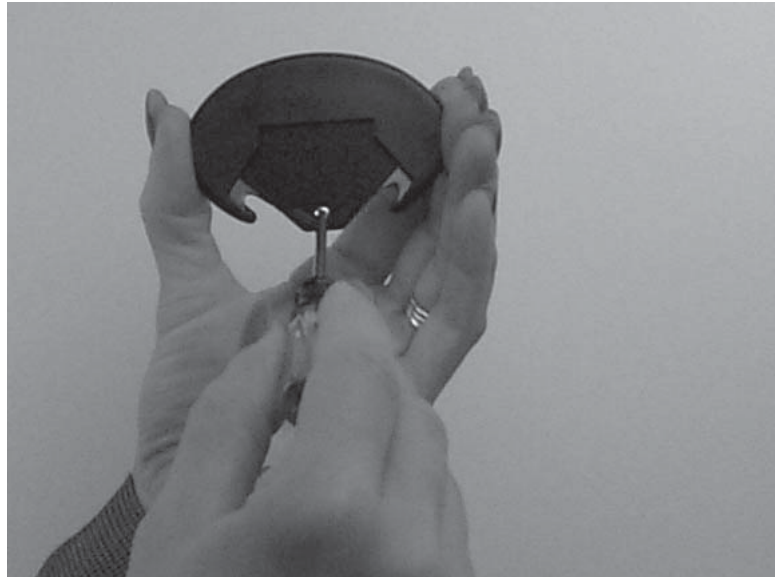


Shut the machine off! D&K Minikotes have set screws at both ends of each laminating and pull roller. With the use of a 3/32 hex key, loosen all four set screws on the pull rollers. Cut the plastic between the laminating and pull rollers, grab the loose end and pull. The rollers will rotate freely on the roll shafts and the “wrap-around” will easily unwrap. Tighten all the set screws and rethread the film.

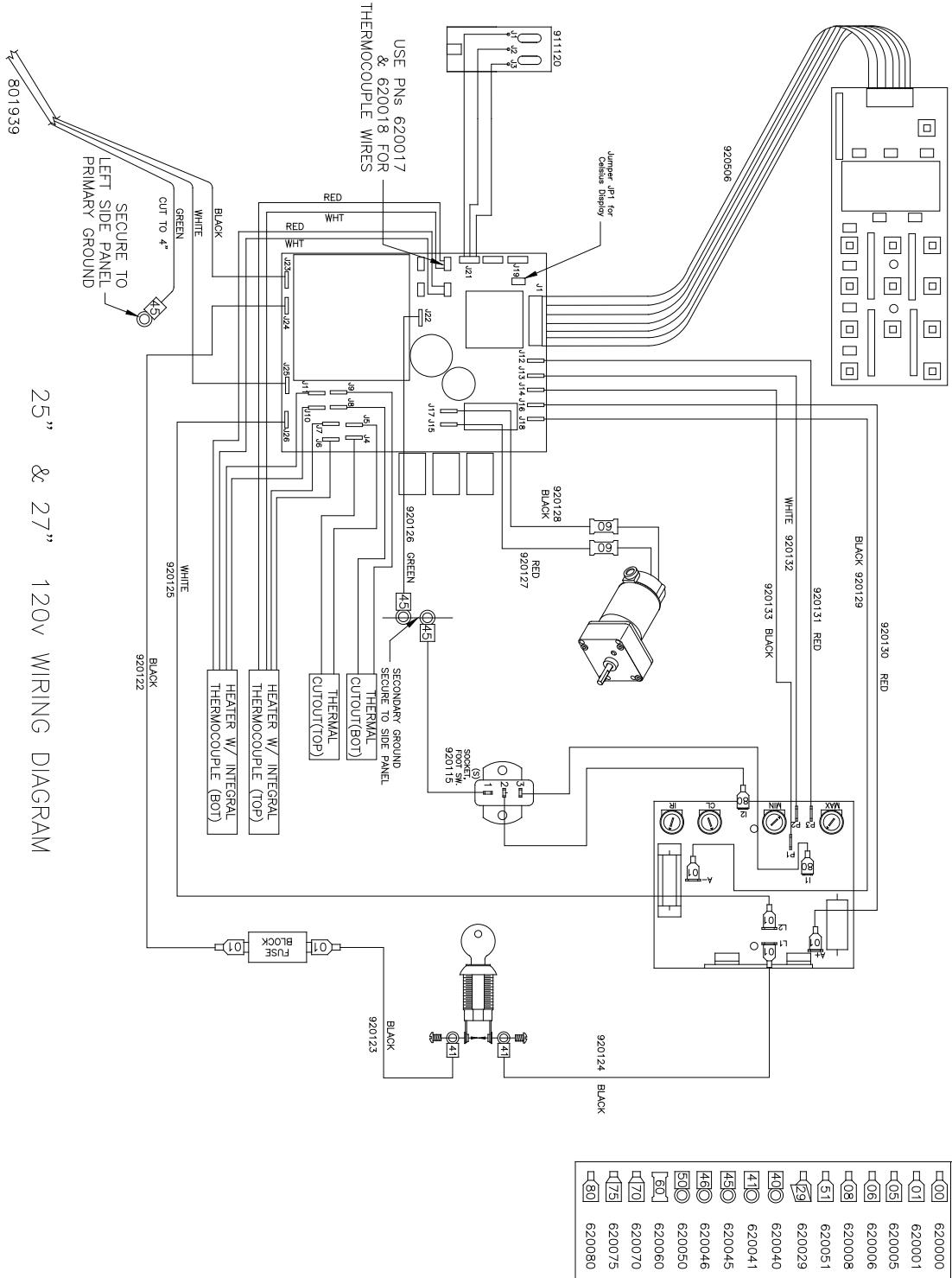
Appendix A

Replacing the hand held Cutter Blades.

The hand held cutter blade can be replaced by removing the small screw on the back of the cutter, then removing the cutter back. **Caution: The cutter blade is extremely sharp. Please handle carefully and dispose of properly.** Remove and discard the old blade. Re-install cutter back and screw. **Caution: Do not over tighten screw.**

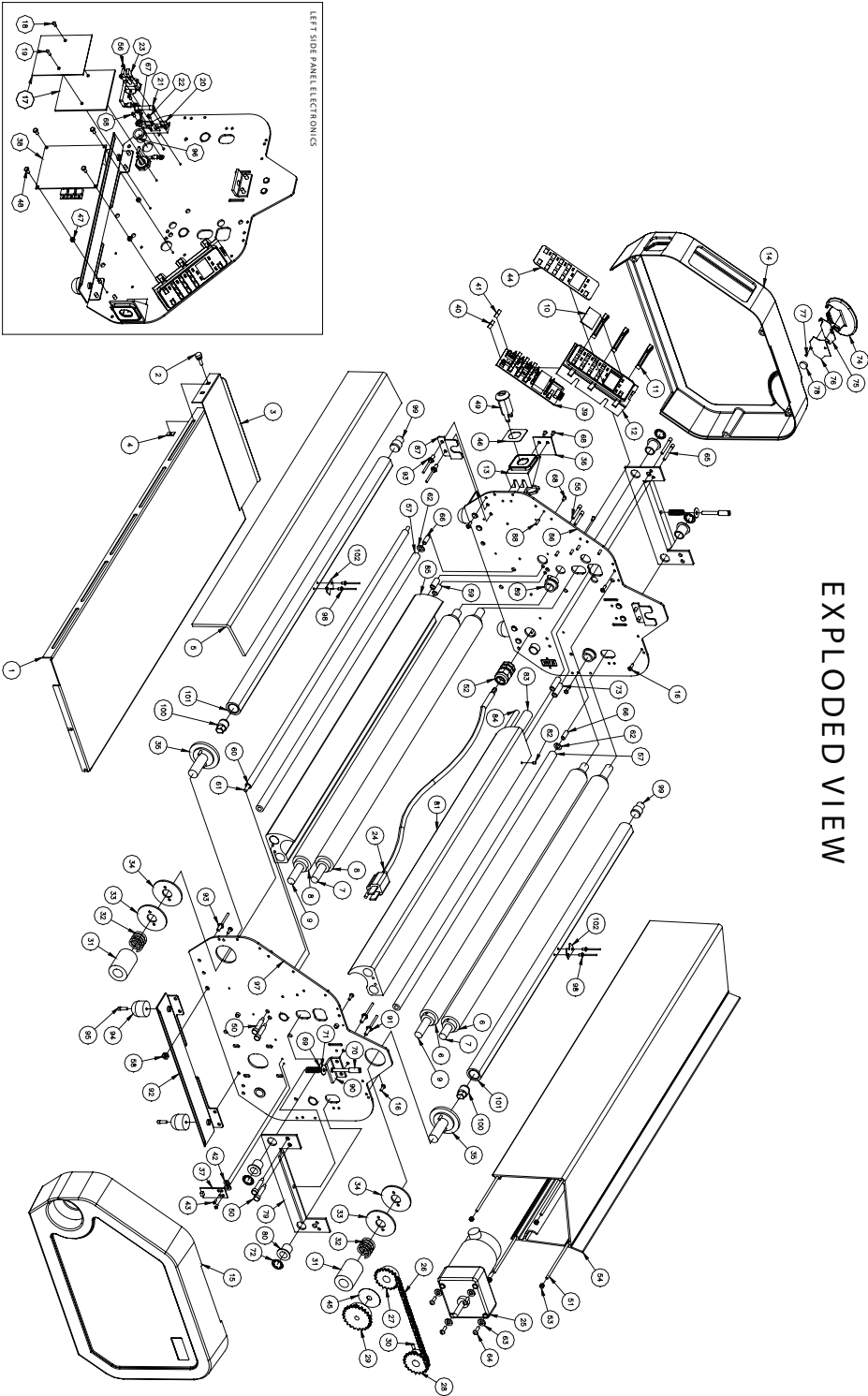


WIRING DIAGRAM



25" & 27" 120V WIRING DIAGRAM

EXPLODED VIEW



LIMITED WARRANTY

Dealer, warrants to the original consumer purchaser that each new Minikote Laminator which proves defective in materials or workmanship within the applicable warranty period will be repaired or, at our option, replaced without charge upon its return as outlined below. The applicable warranty shall be one year from date of purchase. "Original consumer purchaser" means the purchaser who first purchased the product covered by this warranty other than for purpose of resale.

Liability for breach of any warranty express or implied shall be limited to the repair or replacement, at dealer, option, of the defective item. Dealer shall not be liable for damages arising out of, or in connection with the use or performance of any product. Any implied warranty shall be limited in duration to the duration of this warranty. Some states do not allow limitations on how long an implied warranty lasts for the exclusion or limitation of consequential damages, so the above limitation may not apply to you.

There are no consumer serviceable parts in the Minikote Laminator. If you require service under this Warranty, contact your dealer to obtain Return Authorization (RA), pack the product in its original packaging (or request the same from Technical Service when requesting the RA), and include a description of the malfunction and proof of date of purchase. Technical Service will arrange for the Minikote Laminator to be picked up by a freight company. Failure to return in original packaging could void this warranty.

The Warranty extends to and is enforceable only by the original consumer purchaser, and only for the period which the product remains in the possession of the original equipment purchaser. This Warranty does not cover any defect or malfunction due to the use of faulty non- Minikote Laminator materials, unreasonable use or abuse of the machine, or failure to provide reasonable and necessary maintenance. This Warranty gives you specific legal rights and you may have other rights, which vary, from state to state.

Laminator.com
Your Low Price Laminating and Binding Specialists

13777 W Laurel Dr • Lake Forest, IL 60045
P: 800.323.4307 • F: 847.996.0610